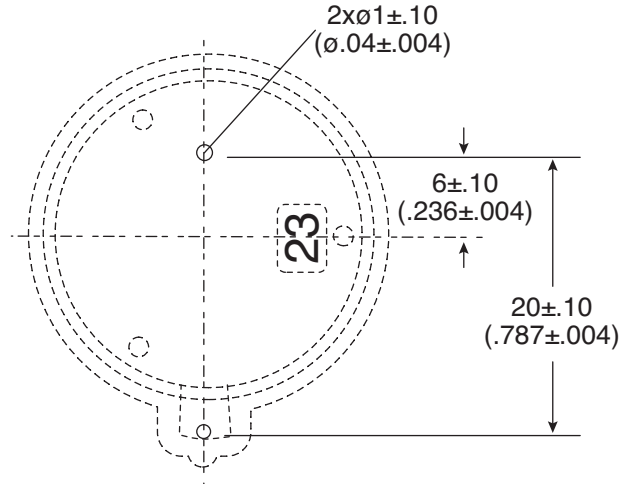
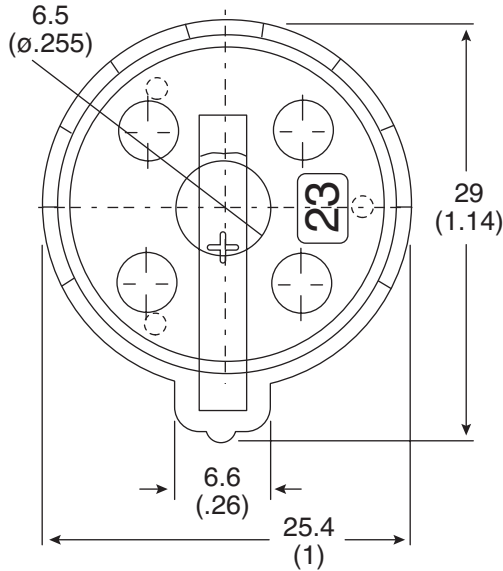
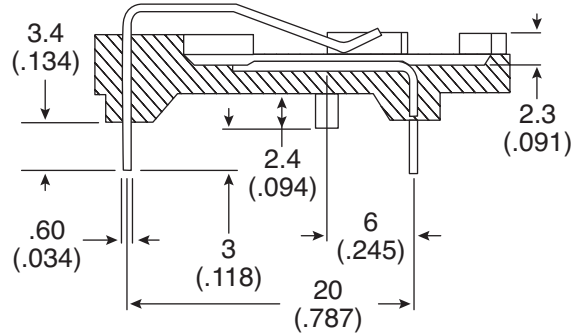
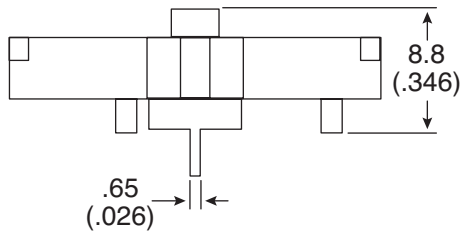


Date Last Revised: 04-03-12



Recommended PCB Layout  
Component Side



Dimensions: mm (in.)

## SPECIFICATIONS

<b>Housing:</b>	PBT 30% GF
<b>Contact:</b>	Phosphor bronze
<b>Plating:</b>	Tin 100 $\mu$ ", Ni 80 $\mu$ "
RoHS Compliant	

Available from Mouser Electronics  
1-800-346-6873 / [www.mouser.com](http://www.mouser.com)

EPD-200407